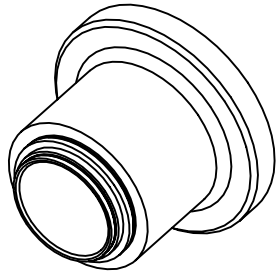
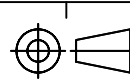
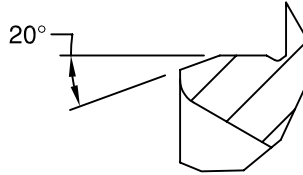
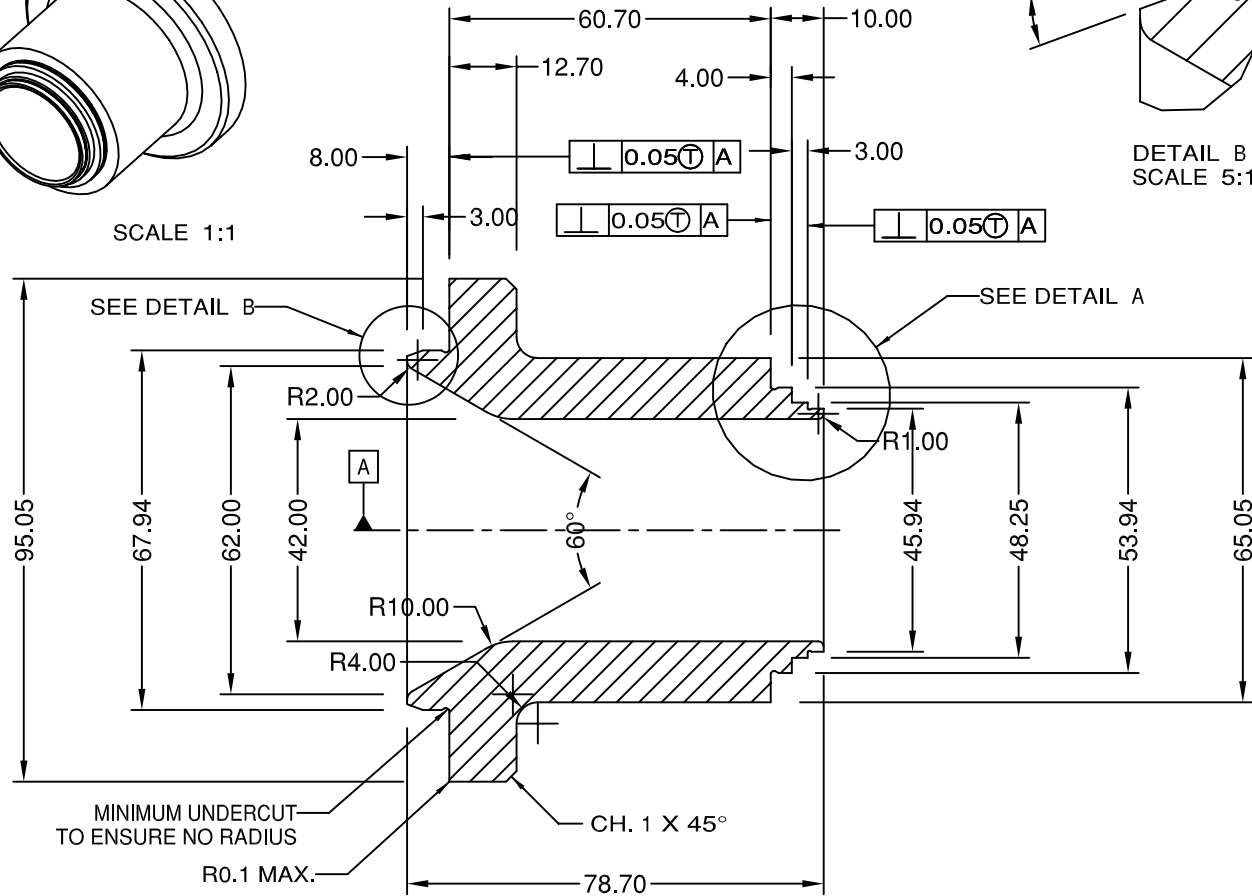


XXXXXXXX
SHT 1 OF 1

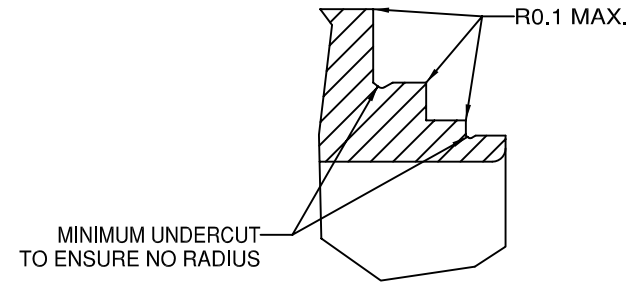
PART NUMBER	DIM "L1"	DIM "L2"
XXX-XXX-XX	30.35	(39.35)
XXX-XXX-XX	10.35	(19.35)



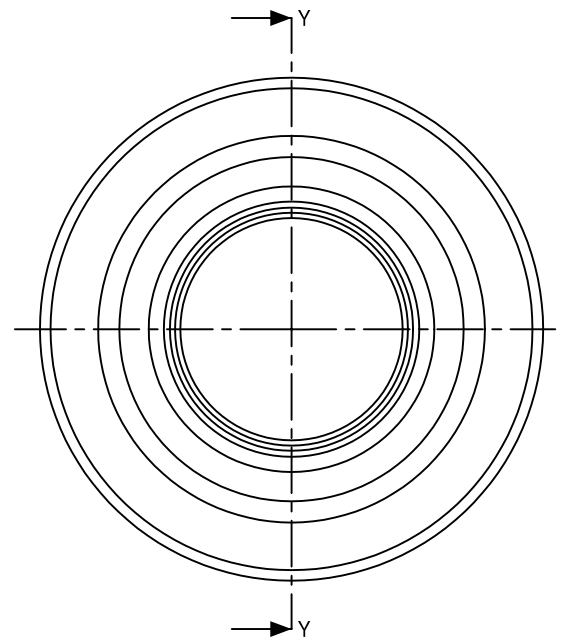
SCALE 1:1



DETAIL B
SCALE 5:1



DETAIL A
SCALE 5:1



SECTION Y-Y

N7/
ALL OVER U.O.S. MACHINED PARTS ONLY
GENERAL DRAWING OFFICE PRACTICE TO BS308

CORNERS U.O.S. MACHINED PARTS ONLY.
R0.4/0.2
R0.9/0.1

DIMENSIONS IN mm U.O.S.
GEN TOL ± 0.2 U.O.S.
ANGLES $\pm 0.5^\circ$ U.O.S
HOLES TO BS EN20286 H12 U.O.S.

SCALE
2:1

DRAWN J BUNGARD
CHKD
APPD

PART NO.		DESCRIPTION, MATERIAL, REMARKS ETC.				
VERSION	B	TITLE: ADAPTOR BODY TUBE D47.5 - D32.5				
ISSUE	-					
DATE	02-May-03	DRG. No	XXXXXXXX	SHT 1 OF 1		

PROENGINEER DRAWING MODEL ISSUE